

DVI Splitter/Extender via Multimode Fiber Optic Cable

VOPEX®

Drive up to 4 displays from one DVI video source up to 3,280 ft (1,000 meters)

- Broadcast real-time DVI video to multiple display locations.
- Supports crisp and clear resolutions to 1920x1200.
- Signal transmission via single-strand 50-micron multimode SC fiber optic cable – no RF interference.
- Compact design of transmitter and receivers allows for direct connection to source/displays.
- Cables can be installed in conduit prior to transmitter/receiver installation.
- EDID learning for the support of any DVI display device.
- Complies with DVI 1.0 standard.
- No power supply required for the optical splitter or transmitter.
- Integrated mounting brackets on the optical splitter for easy surface/wall mounting.
- Ideal solution for digital signage applications.



FIBER-1X4-SMSC Optical Splitter and ST-1FODVI-R-SC Remote Unit (Front & Back)

The VOPEX® DVI Splitter/Extender simultaneously distributes high resolution DVI video to up to four displays up to 3,280 feet (1,000 meters) from a DVI computer using a single-strand SC multimode fiber optic cable.

The VOPEX system consists of three components: the optical splitter, which connects to the transmitter and receivers; the transmitter, which connects to the host DVI video source; and a receiver for each remote DVI display. The units are interconnected by a simplex 50-micron multimode SC fiber optic cable.

Specifications

Optical Splitter

Connectors

- Five SC fiber connectors

Cables

- Use a FIBER-S-SCSC-50-xM simplex 50-micron multimode SC fiber optic cable to extend the receiver from the transmitter up to 3,280 feet (1,000 meters).
- Cables not included.

Power

- Powered from video source connected to transmitter.

Dimensions

- WxDxH: 6.42x4.76x1.09 in (163x121x28 mm)

Environmental

- Operating temperature: -40 to 185°F (-40 to 85°C)

Regulatory Approvals

- RoHS

Warranty

- Two years

Distances & Resolutions	
Distance	Maximum Resolution
3,280 ft (1,000 m)	1024x768 (XGA)
2,300 ft (701 m)	1280x1024 (SXGA)
1,650 ft (503 m)	1600x1200 (UXGA)
984 ft (300 m)	1920x1200 (WUXGA)

Transmitter and Receivers

Video

- Connectors (for transmitter and receivers): one male DVI-D single link connector and one SC fiber connector.
- Supports resolutions up to 1920x1200 (WUXGA); refer to the resolution chart below for resolutions at different lengths.
- EDID learning for the support of any DVI display device.
- Low RFI/EMI.
- Laser Class 1 Safety compliant.
- Optical source: 850nm VCSEL.
- Supports a simplex 50-micron multimode SC fiber optic cable.
 - Extend the receiver from the transmitter up to 3,280 feet (1,000 meters).
- Frequency Bandwidth : 1.65Gbps (Single Link)

Power

- Local unit: powered from attached video source.
- Remote unit: 100 to 240 VAC at 50 or 60 Hz via AC adapter. (US AC adapter included.)

Environmental

- Operating temperature: 32 to 122°F (0 to 50°C).
- Storage temperature: -4 to 158°F (-20 to 70°C).

Regulatory Approval

- CE, FCC, RoHS

Dimensions

- WxDxH: 1.57x2.64x0.59 in (40x67x15 mm)

Warranty

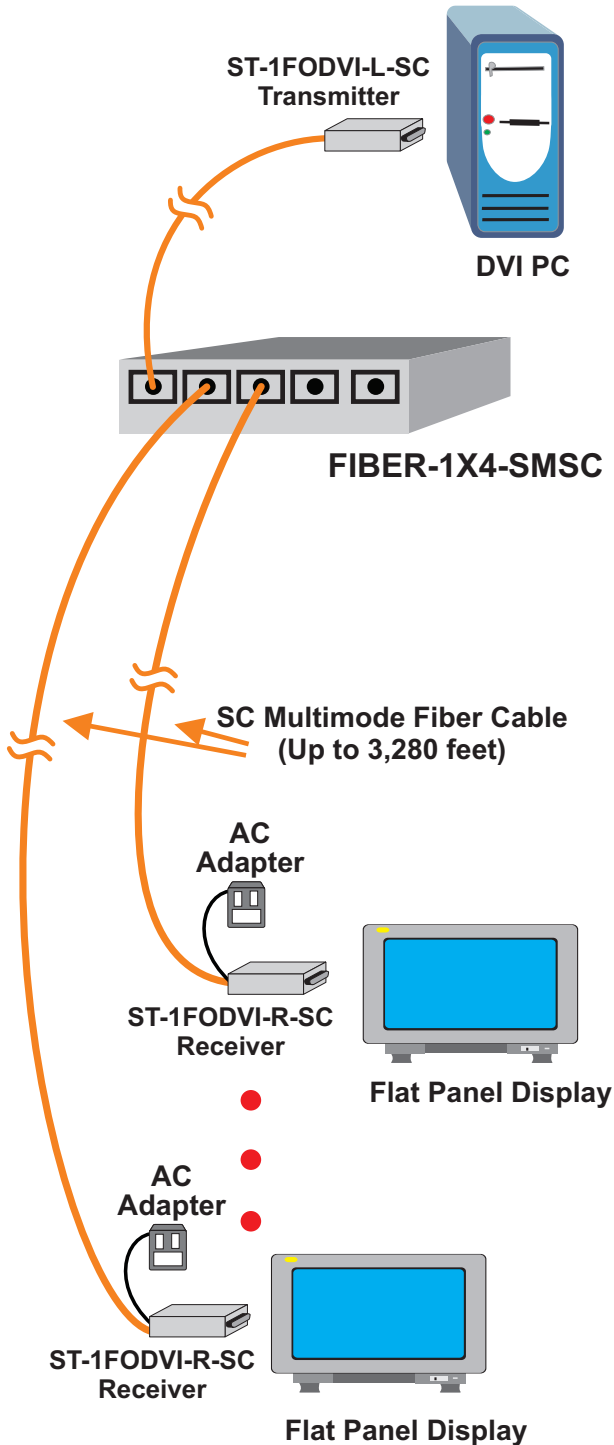
- Two years

DVI Splitter/Extender via Multimode Fiber Optic Cable

VOPEX®

Drive up to 4 displays from one DVI video source up to 3,280 ft (1,000 meters)

Configuration and Cable Illustration



DVI Splitter/Extender via Multimode Fiber Optic Cable

NTI Part #	Function	# of Ports
FIBER-1X4-SMSC	Optical Splitter	1 SC Fiber Input, 4 SC Fiber Outputs
ST-1FODVI-L-SC	Transmitter	1 DVI-D for Source, 1 SC Fiber
ST-1FODVI-R-SC	Receiver	1 DVI-D for Display, 1 SC Fiber