



XTENDEX® Series

USB3ONLY-2FOLC9

USB 3.0 Device Extender via Single-Mode Fiber

Installation and Operation Manual



**Local Unit
(Transmitter)**



**Remote Unit
(Receiver)**

TRADEMARK

XTENDEX is a registered trademark of Network Technologies Inc in the U.S. and other countries.

COPYRIGHT

Copyright © 2020 by Network Technologies Inc. All rights reserved. No part of this publication may be reproduced, stored in a retrieval system, or transmitted, in any form or by any means, electronic, mechanical, photocopying, recording, or otherwise, without the prior written consent of Network Technologies Inc, 1275 Danner Drive, Aurora, Ohio 44202.

CHANGES

The material in this guide is for information only and is subject to change without notice. Network Technologies Inc reserves the right to make changes in the product design without reservation and without notification to its users.

INTRODUCTION

USB3ONLY-2FOLC9 USB 3.0 extender provides the ability to extend the distance of your USB 3.0 (5 Gbps) device up to 350 meters (1148 feet) over LC Duplex Single mode fiber optic cables. The Receiver unit also supports USB Type-C devices using a conversion cable. It overcomes the copper USB cable length limitation without EMI concerns, making it ideal for sensitive environments. This system is Plug-and-Play without having to install software or drivers offering a fast and easy solution for home, campus or business applications.

Features

- Extends a long distance USB 3.0 (5Gbps) connection up to 350 m (using single mode fiber).
- Supports Type-C conversion cable at the Receiver unit.
- Plug-and-play, no driver or software required.
- Supports all USB 3.0 devices.
- Compatible with Windows 7,8,8.1 and 10, MacOS 10.x (and above) and Linux.
- Compatible with other NTI/VPI Products:
 - USB3-AA-xx-MM-K
 - USB3-AC-1M-K
 - USB3-AFAF

Not backwards compatible with USB 2.0/1.1.

MATERIALS

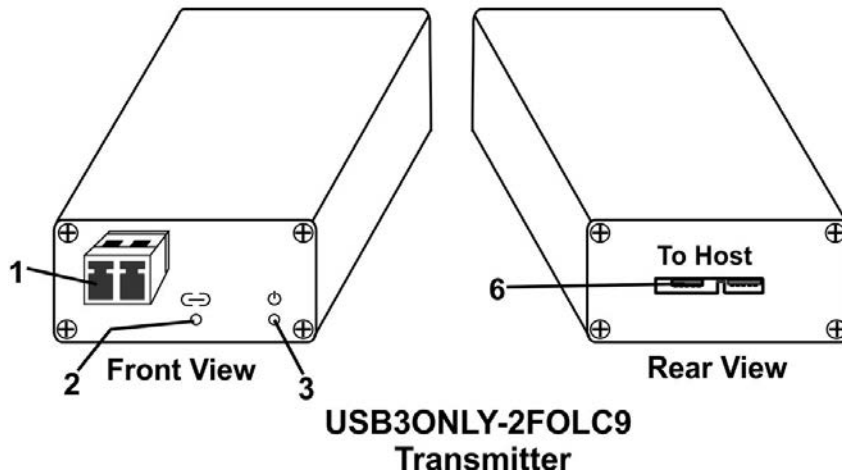
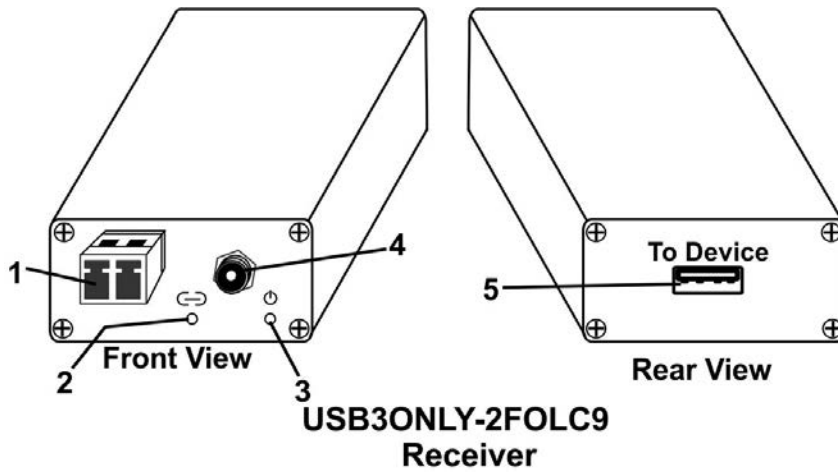
Materials supplied with this kit:

- NTI XTENDEX Transmitter and Receiver
- 100-240VAC, 50 or 60Hz-5VDC/3A AC Adapter
- Multi-Country Power Plug Connectors (EU, UK, AU and US)
- USB 3 Type Micro B-to-USB 3 Type A Male 21 Inch (540mm) cable
- URL slip with location of This manual

Materials *Not* supplied but **REQUIRED:**

Up to 350 meters (1148 feet) of LC Duplex Single mode Fiber Optic Cable

FEATURES AND FUNCTIONS

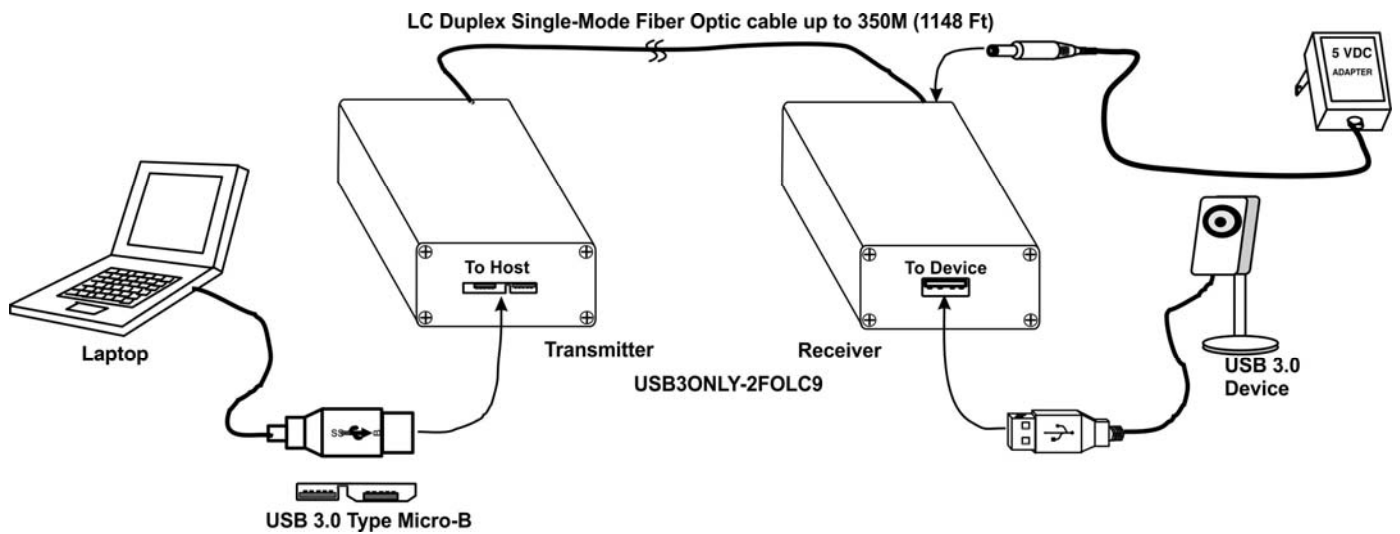


#	LABEL	CONNECTOR/LED	DESCRIPTION
1	None	Fiber Optic Transceiver	For connection of Type LC Duplex Single mode fiber cable to go between the Transmitter and Receiver
2	Link symbol	LED	Indicate when connection between Transmitter and Receiver has been established.
3	Power symbol	LED	Indicate when power has been applied
4	None	Power Jack	for connection of power supply
5	To Device	USB 3.0 Type A connector	For connection of extended USB 3.0 device
6	To Host	USB 3.0 Type Micro B connector	For connection of USB 3.0 cable to host

CONNECTIONS

1. Connect a LC Duplex Single-Mode Fiber cable up to 350 meters (1148 feet) long between the fiber connector on the Transmitter and the fiber connector on the Receiver.
2. Connect the USB 3.0 device to the Receiver.
3. Connect the 5VDC AC adapter between a power source and the Receiver.
4. Connect the Host to the Transmitter with the USB 3.0 Type Micro B-to-USB Type A cable provided. The Transmitter will be powered by the Host.

Once everything is connected, the power LED and the link LED should each illuminate.



TECHNICAL SPECIFICATIONS

USB Version supported	USB 3.0 and later
Input Port	USB 3.0 Type Micro-B
Output Port	USB 3.0 Type A
Speed	SuperSpeed 5 Gbps
Supported OS	Windows 7,8,8.1 and 10; MacOS 10.x and above; Linux
Extension Distance	1148 Feet (350 meters)
Fiber cable supported	LC Duplex Single-Mode
Supported USB Devices	USB 3.0 Flash Drive, USB 3.0 Type-C phone or tablet, etc.
Operating Temperatures	32 to 122°F (0 to 50°C)
Operating Humidity	20 ~ 80%
Power Supply	100-240VAC, 50 or 60Hz-5VDC/3A AC Adapter with Multi-country adapters (EU, UK, AU and US)
Size (In.) WxDxH	2.24 x 4.13 x 1.10 In. (Transmitter and Receiver)
Approvals	CE, RoHS, FCC

Not backwards compatible with USB 2.0/1.1.

WARRANTY INFORMATION

The warranty period on this product (parts and labor) is two (2) years from the date of purchase. Please contact Network Technologies Inc at **(800) 742-8324** (800-RGB-TECH) or **(330) 562-7070** or visit our website at <http://www.networktechinc.com> for information regarding repairs and/or returns. A return authorization number is required for all repairs/returns.